

## Data Sheet „Round Table Motor“ RT120

Version 2.2

Edition August 2019



### RT Motor with Hollow Shaft

The RT type series are hollow shaft servo motors with direct drive. The direct drive is an ironless torque motor without cogging forces. The result is a smooth well-balanced velocity even at low speeds. The high resolution measuring encoder is integrated and has a zero-pulse per rotation for the reference. The integrated precision bearings meet the highest standards in terms of precision, for example for compact measuring table applications. But this RT motor with hollow shaft is equally suitable as rotary axis for handling systems together with our LINAX® linear motor axis. The RT hollow shaft servo motors can be controlled directly with a XENAX® Xvi servo controller, thus it is also possible to couple it with a real-time Ethernet bus system such as **EtherCAT, Profinet, Powerlink, EtherNet/IP or CANopen.**

### Type Designation

#### RT-120-yyHz

120 = outside diameter [mm]  
 yy = hollow shaft diameter [mm]  
 zz = motor height [mm]

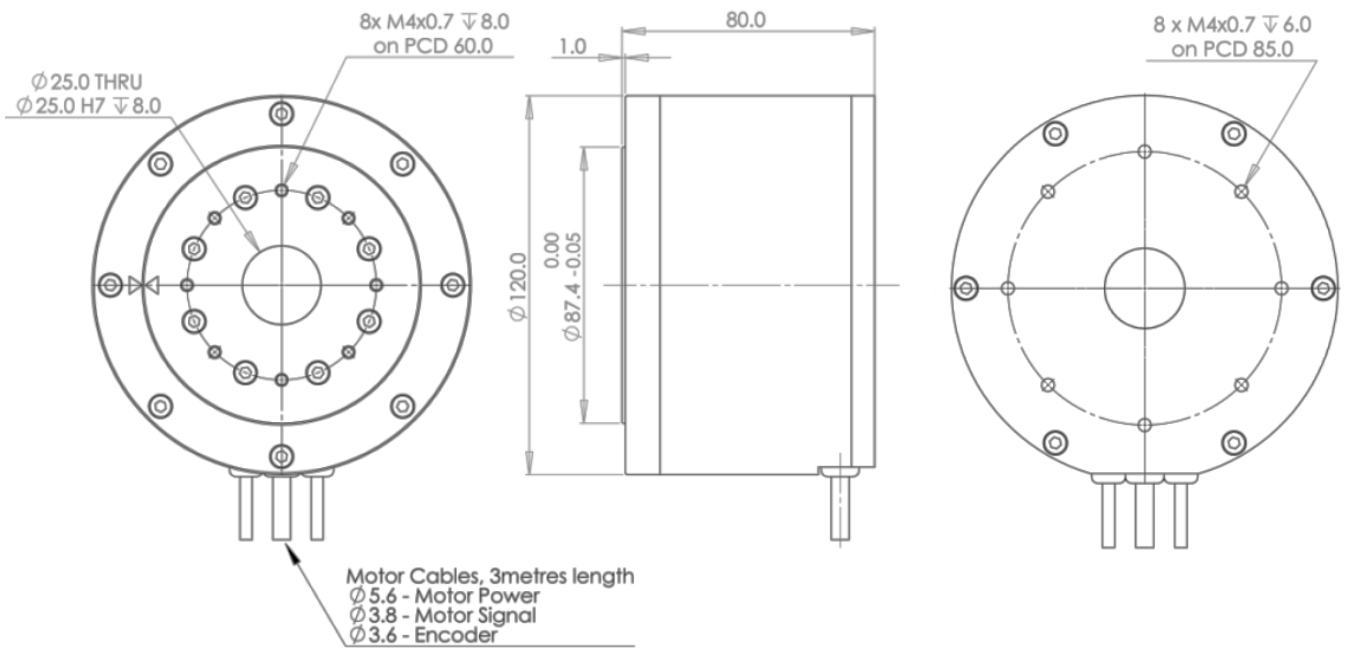


### Specifications

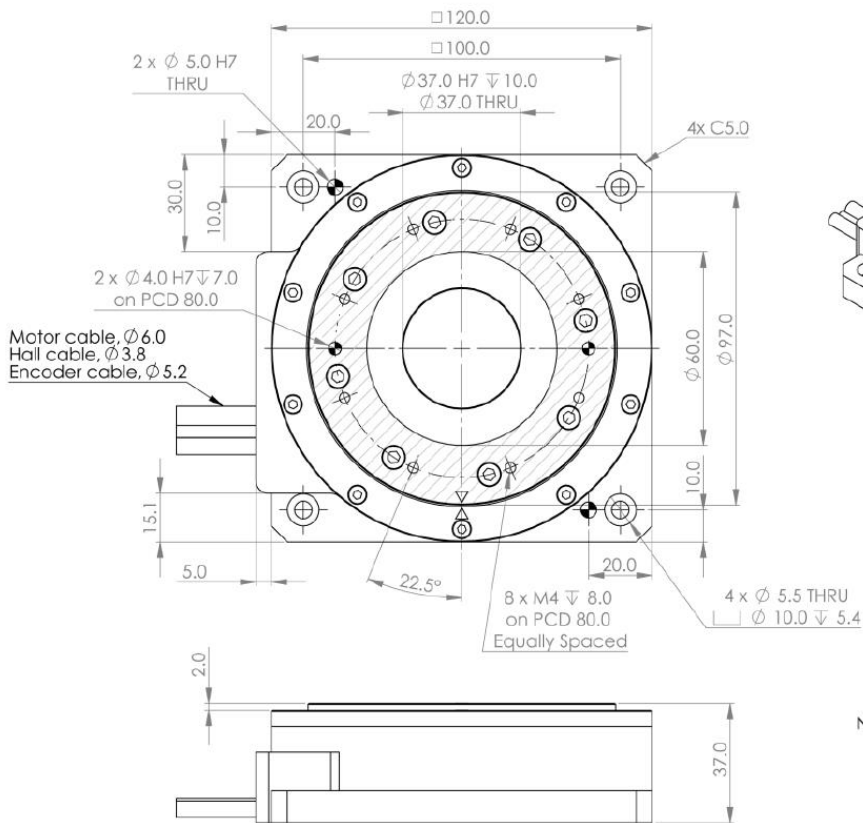
| Description              | RT-120-25H80<br>art. no. 113.07.12 | RT-120-37H37<br>art. no. 113.07.19 |
|--------------------------|------------------------------------|------------------------------------|
| Torque nominal           | 1.8 Nm                             | 0.6 Nm                             |
| Max. torque              | 6.5 Nm                             | 2.1 Nm                             |
| Max. speed (@48VDC)      | 955/min                            | 400/min                            |
| Rotor inertia            | 1.078E-03 kgm <sup>2</sup>         | 0.658E-03 kgm <sup>2</sup>         |
| Absolute accuracy        | 60 arcsec                          | 60 arcsec                          |
| Repeatability accuracy   | +/-3 arcsec                        | +/-3 arcsec                        |
| Encoder resolution       | 229'440 Inc/rev                    | 314'720 inc/rev                    |
| Accuracy radial rotation | 10 µm                              | 5 µm                               |
| Accuracy axial rotation  | 15 µm                              | 5 µm                               |
| Max. axial load rating   | 150 N                              | 150 N                              |
| Max. moment load rating  | 10 Nm                              | 14.7 Nm                            |
| Total weight             | 3.2 kg                             | 2.0 kg                             |

Dimensions

RT-120-25H80



RT-120-37H37



Note: 37mm diameter through hole  
 : Shaded area, mounting surface

Jenny Science AG  
Sandblatte 7a  
CH-6026 Rain, Schweiz

Tel +41 (0) 41 455 44 55

[www.jennyscience.ch](http://www.jennyscience.ch)  
[info@jennyscience.ch](mailto:info@jennyscience.ch)

Round\_Table\_Motor\_RT120\_E\_V2.2.docx

© Copyright Jenny Science AG 2019